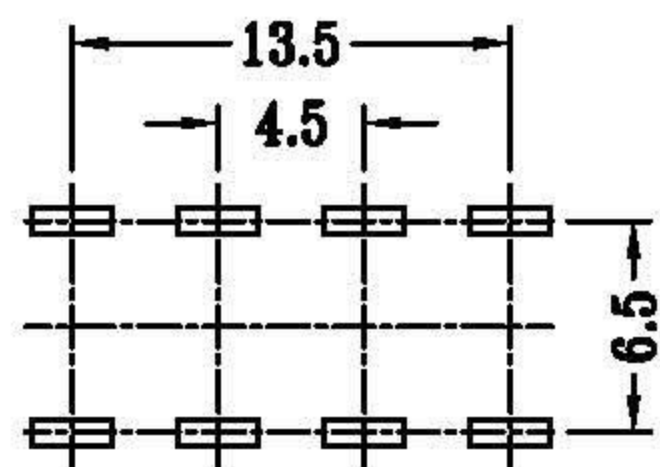
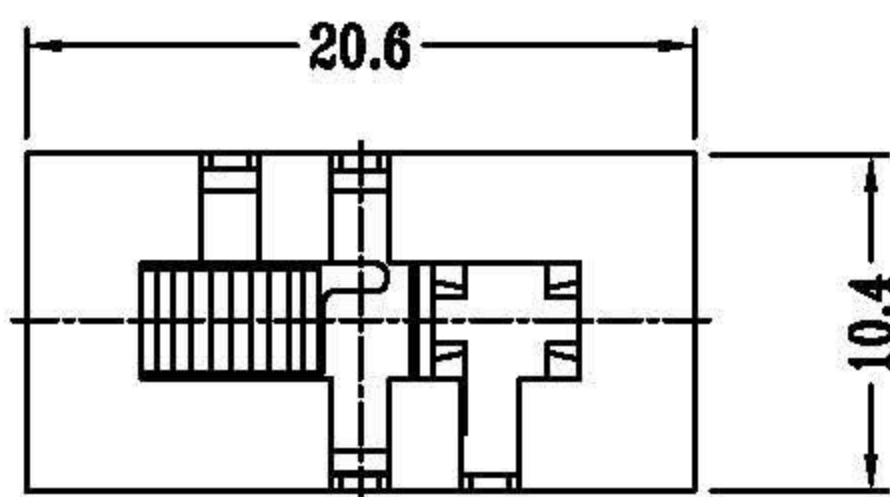
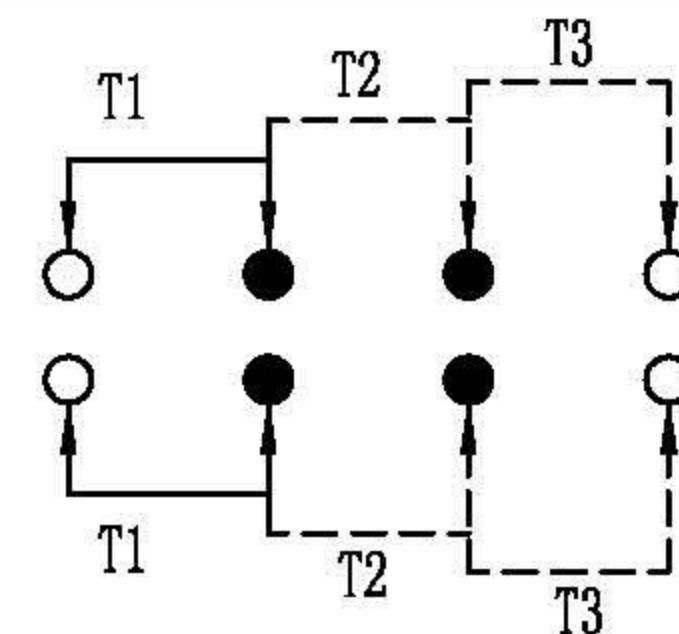


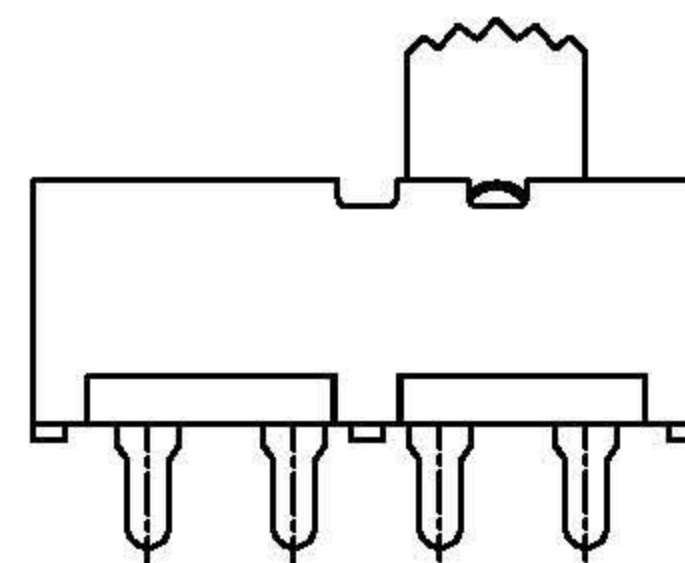
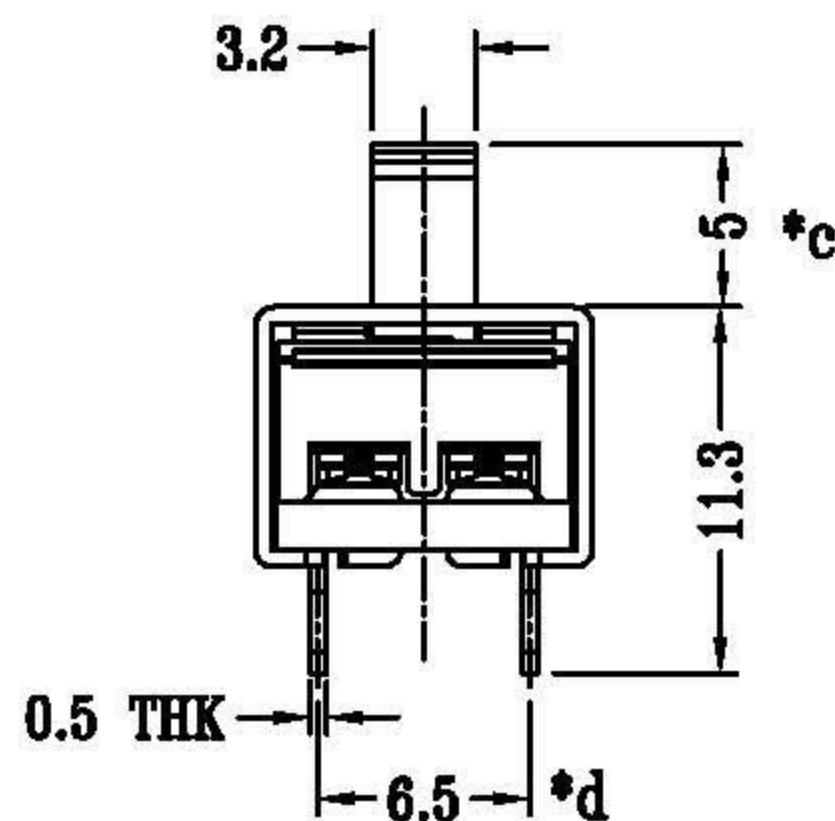
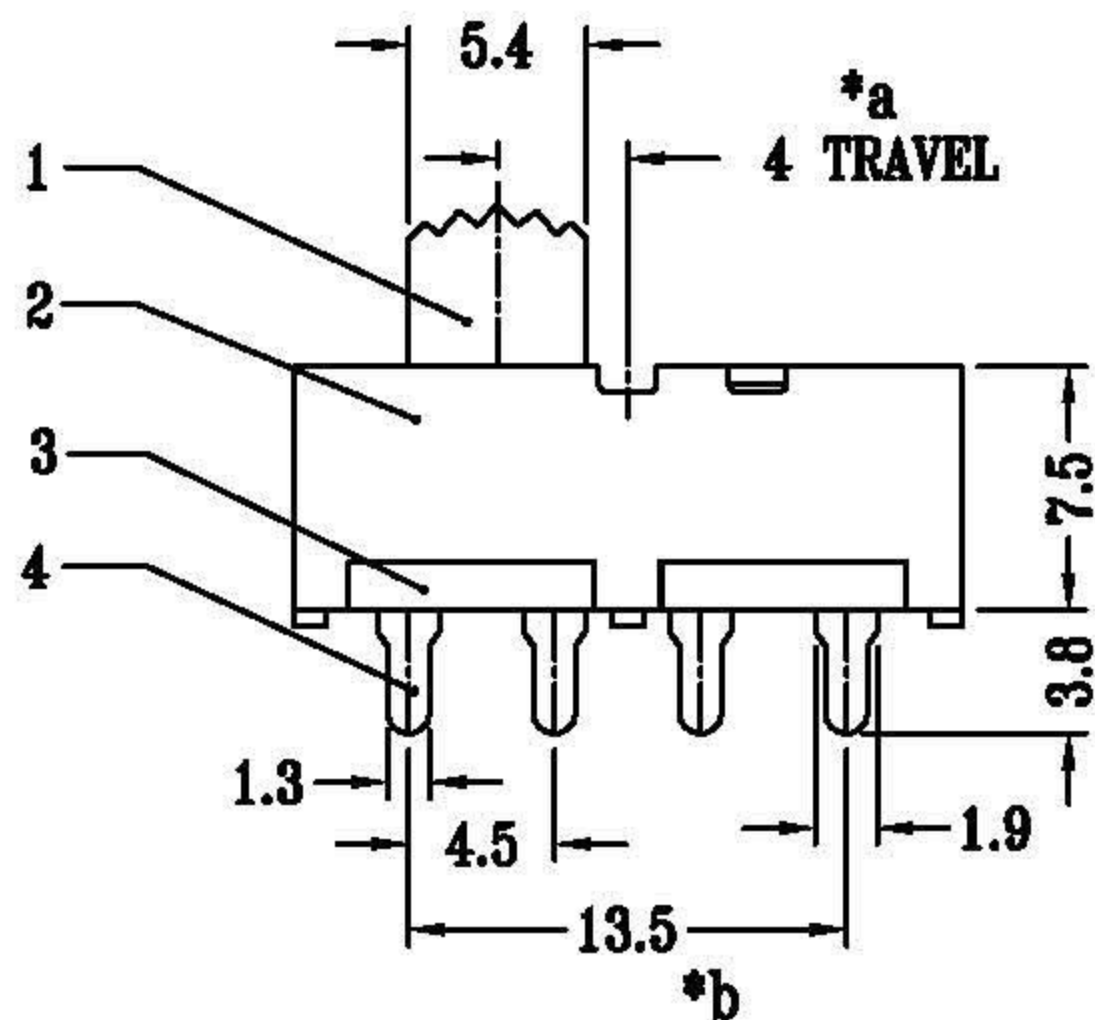
CAD FILE:



P.C.B LAYOUT
BOTTOM VIEW



SCHEMATIC (NON-SHORTING)



注：“*”表示关键尺寸(4个).

NO.	PARTS	MATERIALS	Q'TY	FINISH	TOLERANCE UNLESS SPECIFIED	ISSUE	DATE	DESCRIPTIONS OF REVISION	APPD.
8									
7	SPRING PLATE 2	PBS STRIP	1	NATURAL					
6	SPRING PLATE 1	PBS STRIP	2	NATURAL	WITHIN 1.5mm : ±0.1mm	A	2017-6-30	初版	曾鹏
5	CONTACT	BRASS STRIP	2	Ag PLATED	OVER 1.5mm : ±0.2mm	ISSUE	DATE		
4	TERMINAL	BRASS STRIP	8	Ag PLATED	TITLE : VERTICAL SLIDE SWITCH			UNIT : mm	DRWG NO.: LT-DR-SS23H21G5-01
3	BASE	PHENOLIC RESIN	1	BLACK	MODEL: SS23H21G5高温			SCALE: 2:1	DWN. 吴开庆 2017-6-30
2	FRAME	STEEL STRIP	1	Ni PLATED	东莞市高迪电子有限公司			CHK'D	曾小伟 2017-6-30
1	KNOB	PA66	1	BLACK				APPD.	曾鹏 2017-6-30